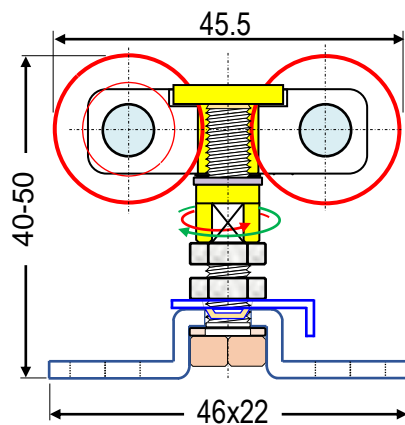
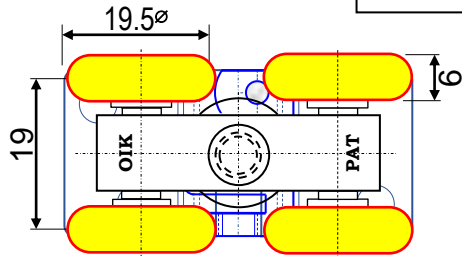


# H-366s

Unit: mm,



- ♥ Max Panel Loading: 75kgs
- ♥ Adjustable Height: 10mm
- ♥ SUS parts: stand, shaft, nut, hook, screw
- ♥ H-366s: 695zp Inner Bearing
- ▲ H-366ss: S695zp (sus Inner Bearing)
- Wheel: 19.5mm~23mm

[www.onlycorp.com](http://www.onlycorp.com), [oik@onlycorp.com](mailto:oik@onlycorp.com).